



**SPARE PARTS CATALOGUE  
ERSATZTEILKATALOG  
CATALOGUE PIECES DETACHEES  
CATALOGO PARTI RICAMBIO  
CATALOGO DE PIEZAS DE RECAMBIO  
CATALOGO PECAS, DE REPOSICAO**

Catalogo parti di ricambio valido  
dalla matricola 1 ad oggi (29/10/2021)

Catalogue pieces detachees  
du numero de Série n. 1 jusqu'à aujourd'hui (29/10/2021)

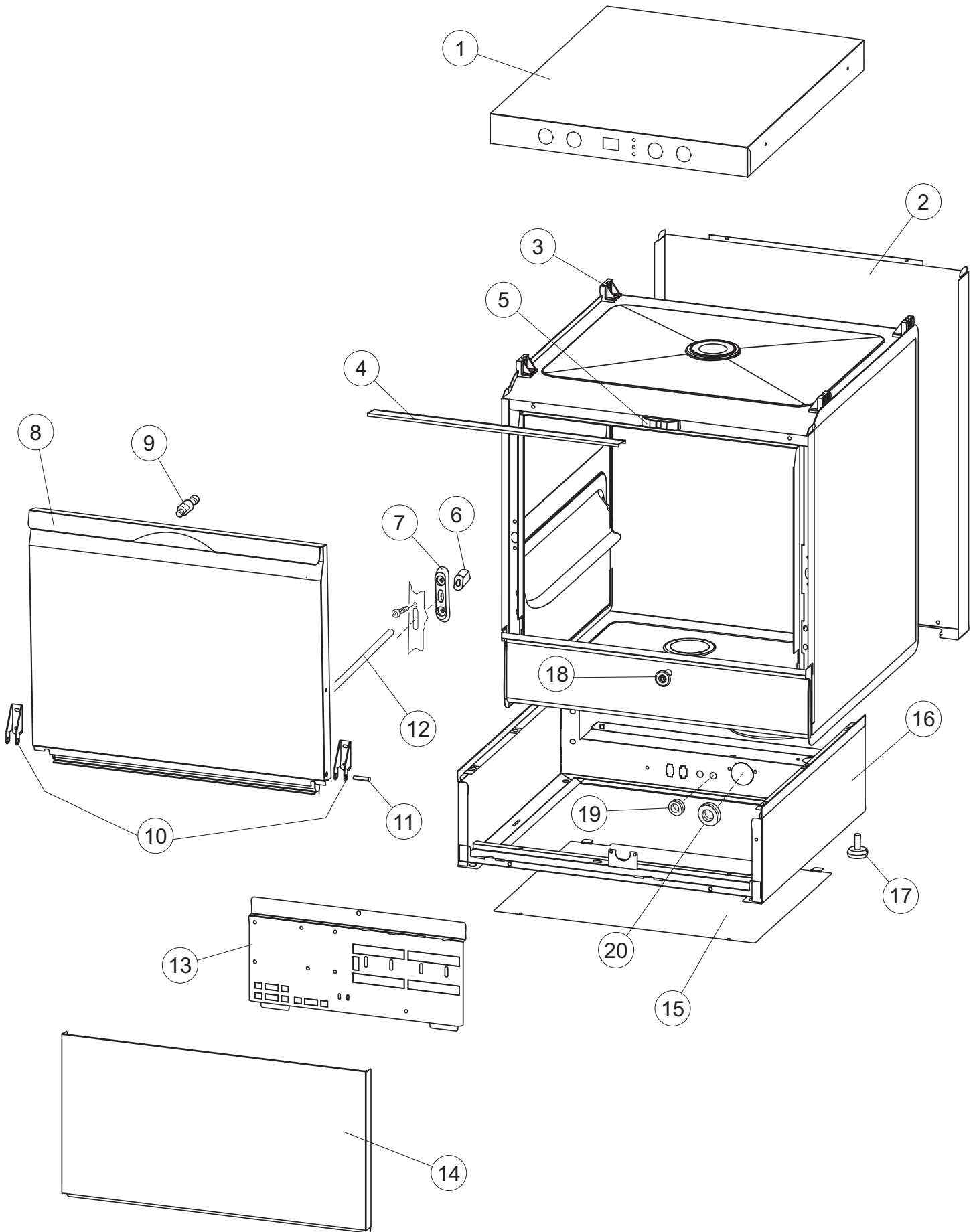
Ersatzteilkatalog  
gültig ab Serien-Nr. 1 bis heute (29/10/2021)

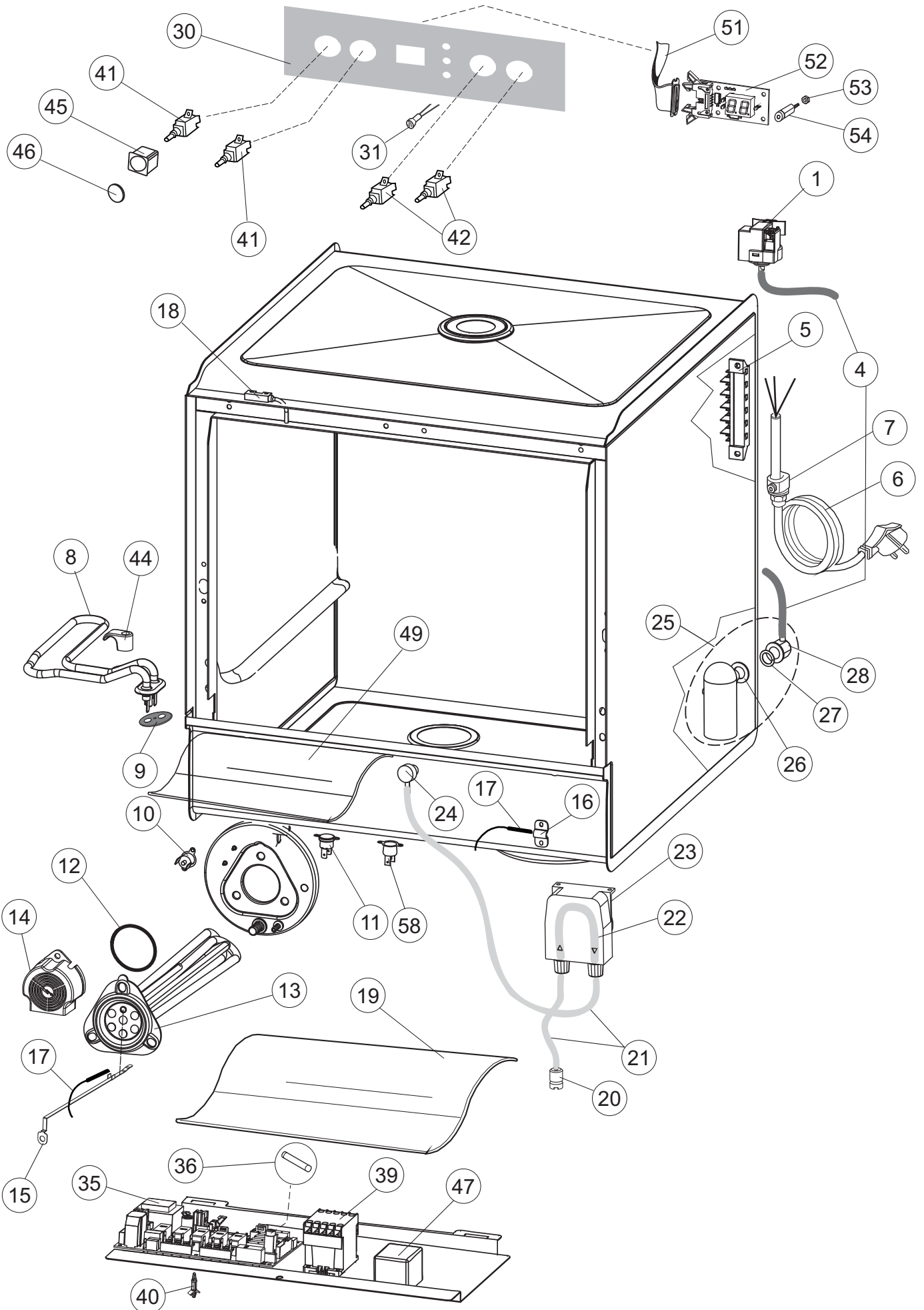
Spare parts catalogue  
valid from serial no. 1 up today (29/10/2021)

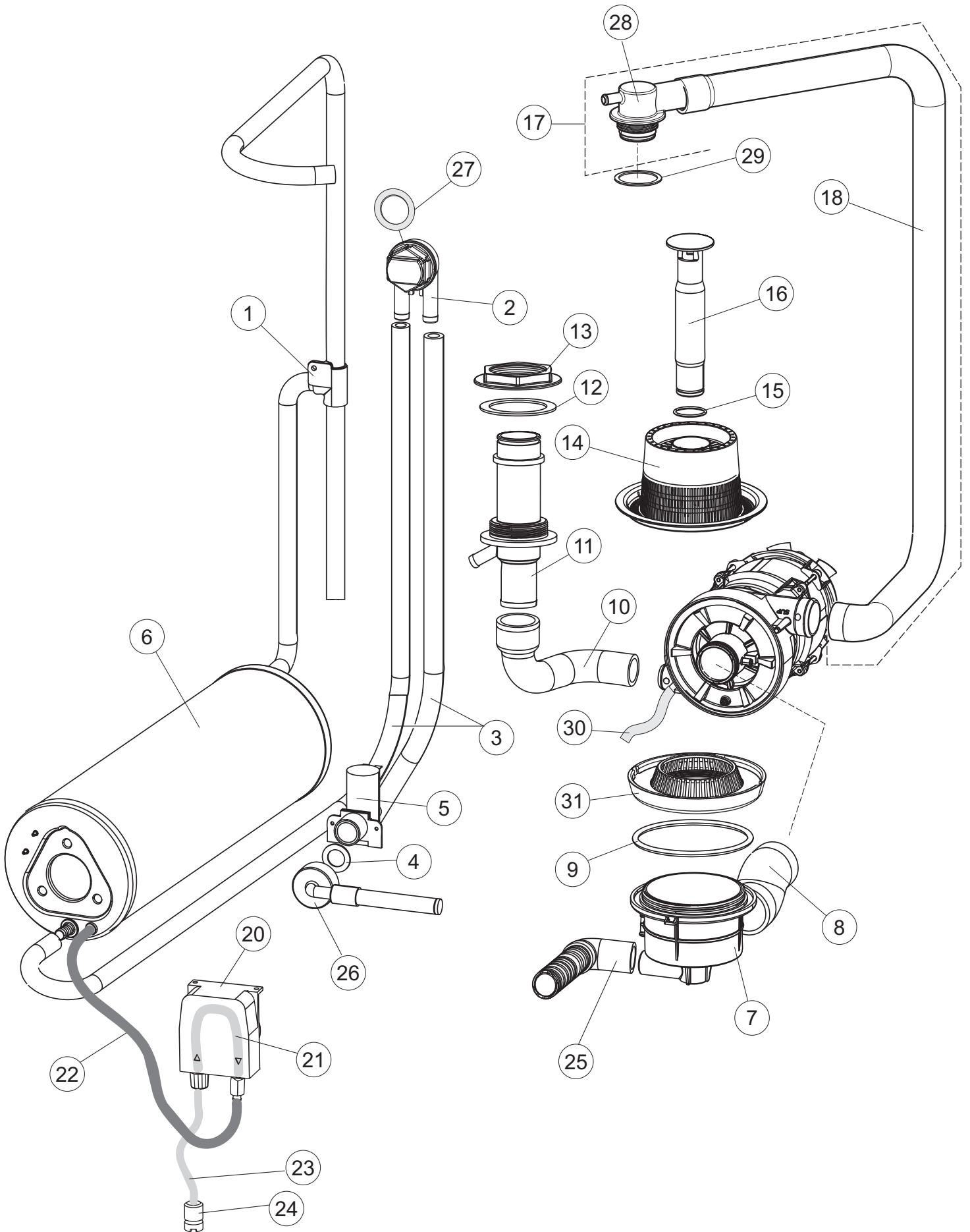
Catálogo de peças de reposição  
válido do número de série 1 até hoje (29/10/2021)

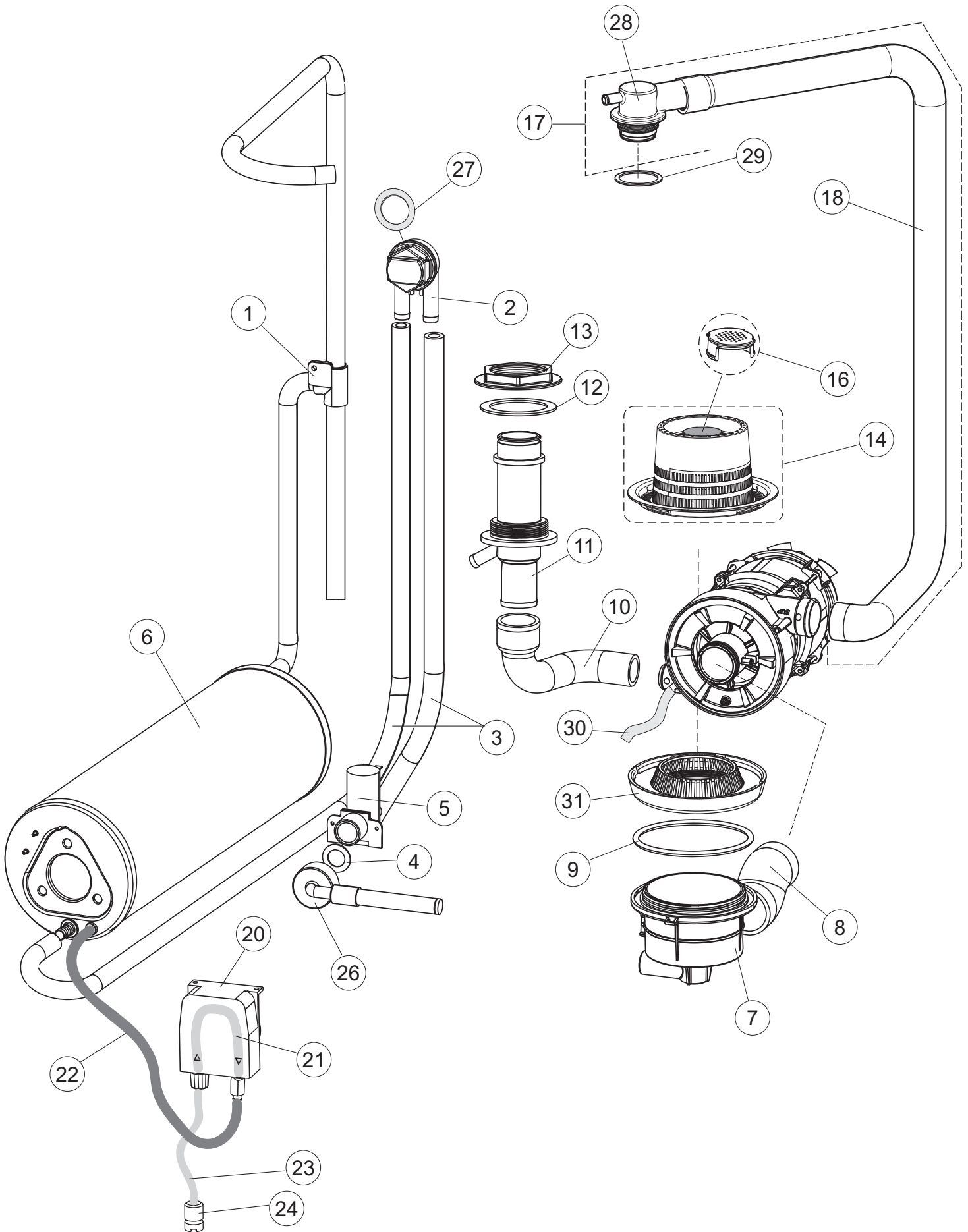
**LVP3250H60**

# 1

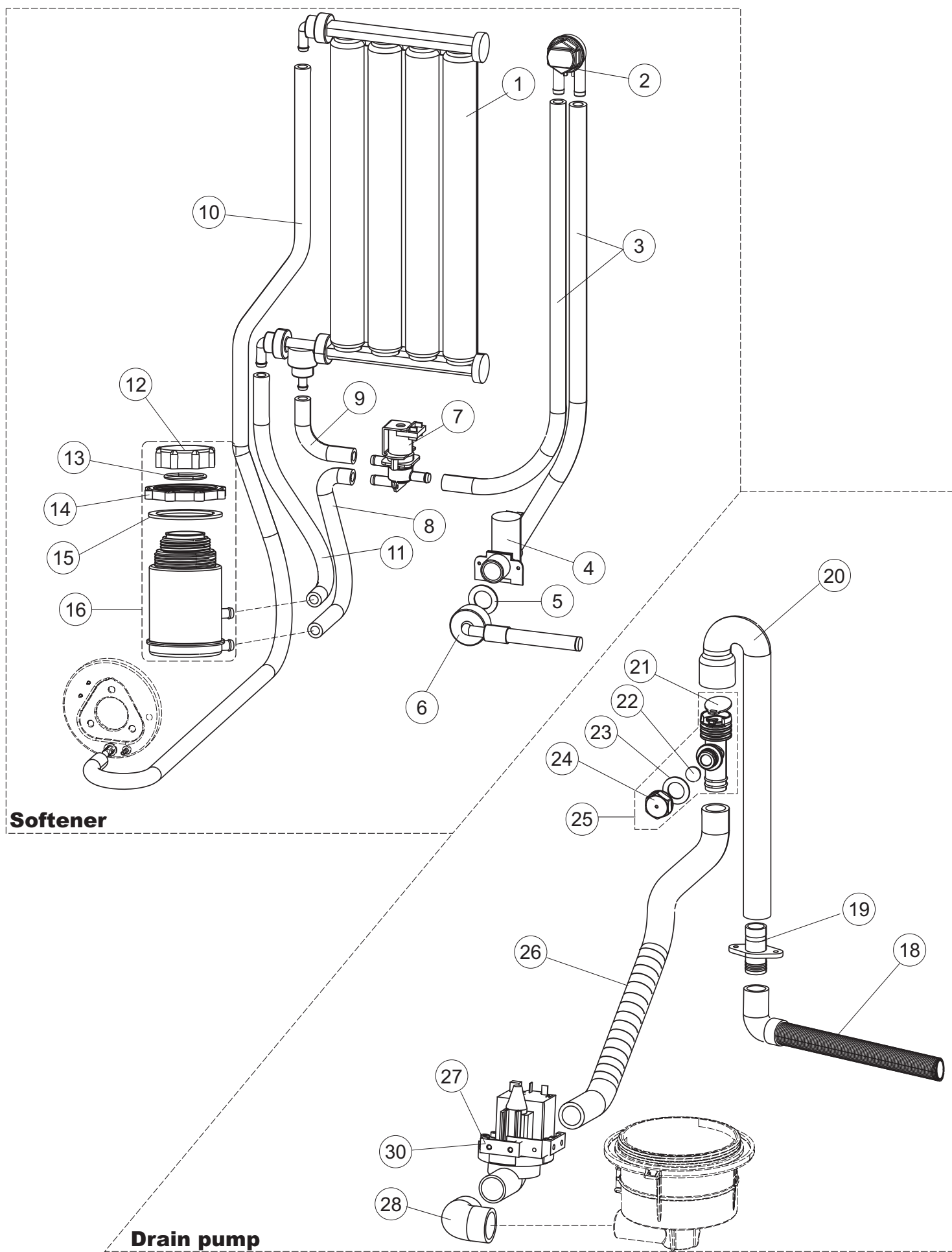








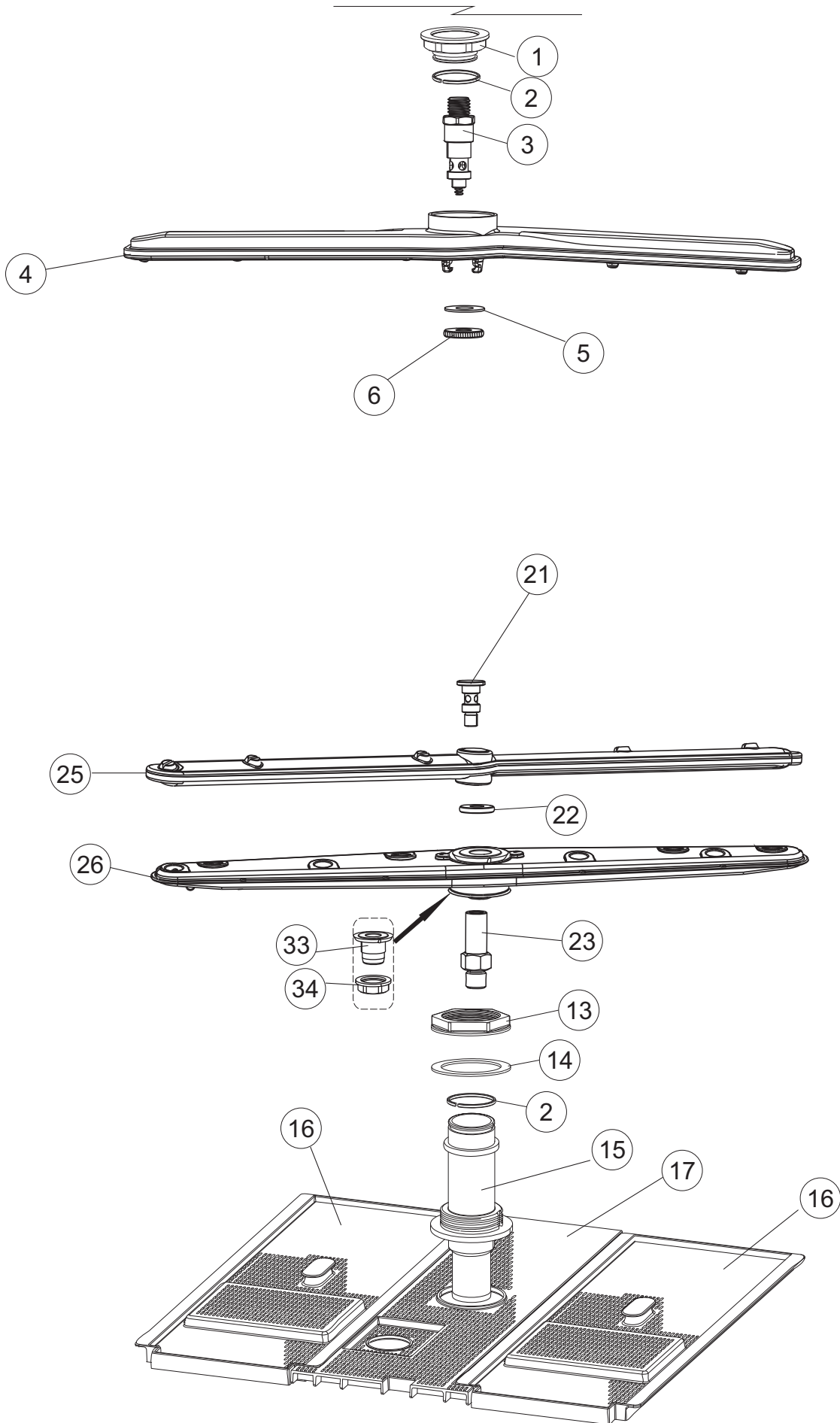
**Drain Pump**

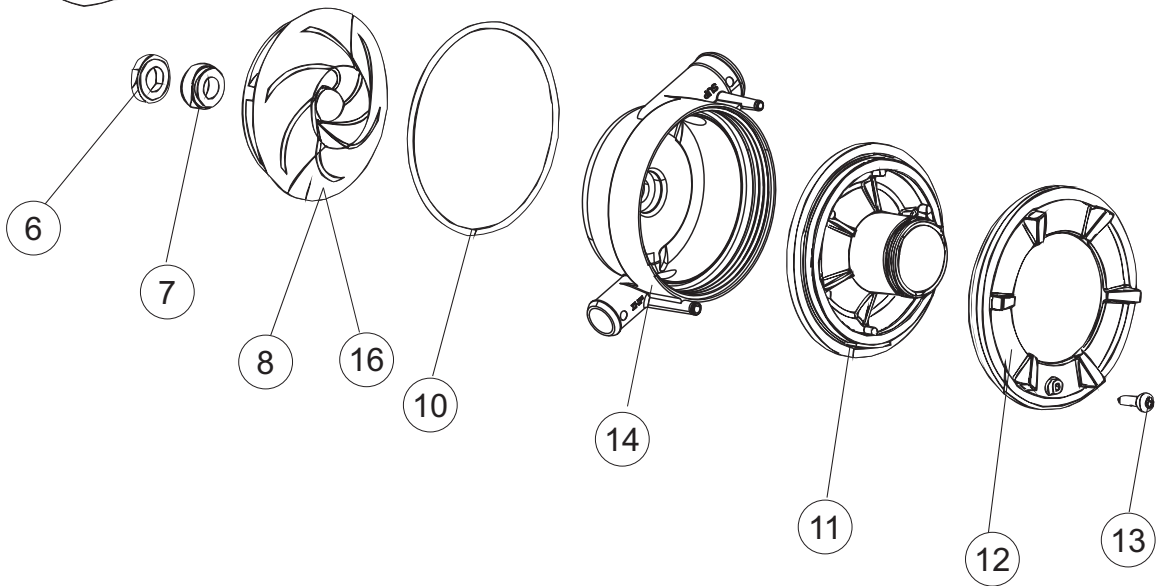
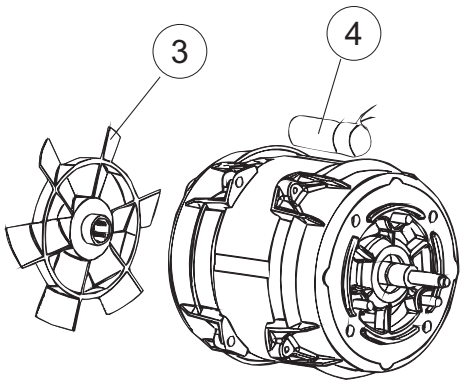
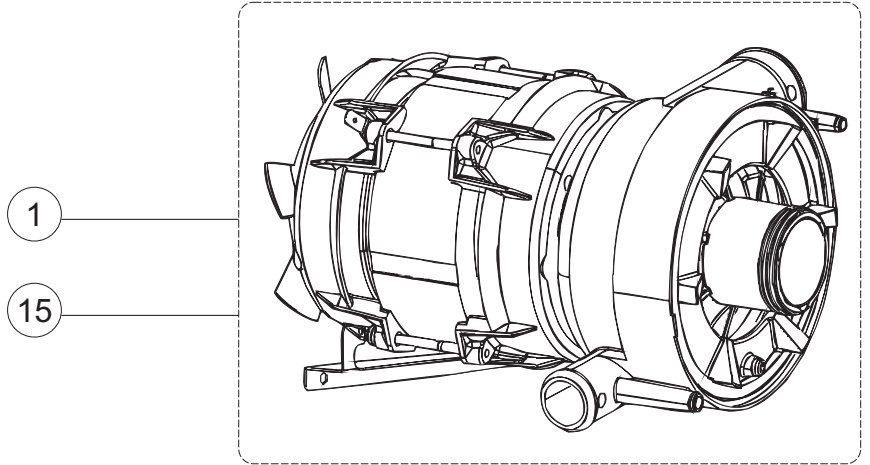


**Softener**

**Drain pump**

# 6







(\*) Recommended spare part.

Page	Spare part position	Spare part code no.	Old code number	Description	U.m.
1	1	004343		COVER	NR
1	2	022159		BACK PANEL	NR
1	3	035113		SUPPORT BRACKET	NR
1	4	437081		DOOR GASKET 50/505	NR
1	5	994012		DOOR LOCK FOR DISHWASHERS	NR
1	6	417041		DOOR CLOSING CONTACT BETA 50 (S6198)	NR
1	7	307003		NUT OF TOP DOOR-STOP BAR	NR
1	8	029728		DOOR,	NR
1	9	325066		DOOR CLOSURE STAKE FOR GLASSWASHERS	NR
1	10	311019		DOOR HINGE D18/G25 (S6662)	NR
1	11	325036		PIVOT	NR
1	12	304021		DOOR TIE ROD FOR DISHWASHER (S6323)	NR
1	13	035112		WIRING PANEL	NR
1	14	012338		FRONT PANEL	NR
1	15	030195		UNDERPROTECTION FOR BASIS OF GLASS- WASHER	NR
1	16	040123		BASE FRAME LA500	NR
1	17	461019		HEXAGONAL FOOT ADJUSTABLE FOR DISHWASHER	NR
1	18	480153		PLUG	NR
1	19	459006		CHOCK D INT 9 EST 16	NR
1	20	459004		DRAIN PUMP CHOCK	NR
2	1	224031		PRESSURE SWITCH	NR
2	4	143235		PIPE	MT
2	5	220011		TERMINAL BLOCK	NR
2	6	299040		PLUG SCHUCKO 90- CABLE 1=2,5 MT	NR
2	7	459005		CABLE-RETAINER	NR
2	8	74169		HEATING ELEMENT 2100W 230V	NR
2	9	437086		PACKING OF THE TANK RESISTANCE	NR
2	10	236047		SAFETY TANK THERMOSTAT 95C	NR
2	11	236061		THERMOSTAT 127	NR
2	12	456002		O-RING	NR
2	13	230116		BOILER HEATING ELEMENT	NR
2	14	69870		BOILER HEATING ELEMENT PROTECTION	NR

(\*) Recommended spare part.

Page	Spare part position	Spare part code no.	Old code number	Description	U.m.
2	15	69871		PROBE HOLDER	NR
2	16	028105		FIXING PLATE	NR
2	17	231016		TEMPERATURE PROBE	NR
2	18	80871		MAGNETIC DOOR SWITCH	NR
2	19	214114		TRANSPARENT PROTECTION FOR ELECTRIC INSTALLATION FOR DISHWASHER	NR
2	20	121993		FILTER AID DISPENSER	NR
2	21	143194		PIPE	MT
2	22	143258		"SANTOPRENE" PIPE	NR
2	23	209043		DETERGENT DOSING PUMP	NR
2	24	999348		DETERGENT TANK FITTING	NR
2	25	984007		CONTROL GROUP THE LEVEL OF WATER	NR
2	26	437019		PACKING FOR AIR TRAP OF PRESSURE SWITCH	NR
2	27	456020		O-RING	NR
2	28	468029		AIR TRAP CONNECTION OF PRESSURE SWITCH	NR
2	30	026950		CONTROL ADHESIVE INTERFACE	NR
2	31	216032		LAMP	NR
2	35	215042-4		MAIN BOARD GET50.2	NR
2	36	228010		FUSE	NR
2	39	229042		AUXILIARY CONTACT	NR
2	40	461028		FOOT BOARD SUPPORT	NR
2	41	208010		DOUBLE SWITCH	NR
2	42	226071		CYCLE PUSH-BUTTON - 2 CONTACTS	NR
2	44	999351		GROUP STOPPED TANK HEATER	NR
2	45	226126		PUSH BUTTON CASE	NR
2	46	227064		BUTTON	NR
2	47	229029		RELAY	NR
2	49	214108		PVC CURTAIN FOR ELECTRIC PROTECTION	NR
2	51	211017		FLAT CABLE	NR
2	52	74902		CONTROL KEYBOARD	NR
2	53	417119		NUT	NR
2	54	419036		INTERFACE BOARD DISTANCE KEEPERS	NR
2	58	236052		THERMOSTAT 90+/-3C	NR

(\*) Recommended spare part.

Page	Spare part position	Spare part code no.	Old code number	Description	U.m.
3	1	143263		PIPE	NR
3	2	144030		NO RETURN VALVE	NR
3	3	143004		PIPE	MT
3	4	437041		GASKET	NR
3	5	240011		FILL VALVE	NR
3	6	104060		BOILER	NR
3	7	136030		ASPIRATION AND DRAIN BODY	NR
3	8	127082		DELIVERY WASH HOSE	NR
3	9	456076		O-RING	NR
3	10	127085		DELIVERY WASH HOSE	NR
3	11	115143		MAINFOLD	NR
3	12	437102		GASKET	NR
3	13	429073		RING NUT	NR
3	14	121120		STAINER	NR
3	15	456081		O-RING	NR
3	16	142058		OVERFLOW PIPE	NR
3	17	115150		MAINFOLD	NR
3	18	127133		DELIVERY WASH HOSE	NR
3	20	209042		DOSING PUMP	NR
3	21	143261		HOSE	NR
3	22	143005		LINEN RUBBER PIPE 5X12 - BLACK	MT
3	23	H.775601		PIPE	MT
3	24	121993		FILTER AID DISPENSER	NR
3	25	143252		DRAIN HOSE	NR
3	26	143270		INLET WRAS PIPE	NR
3	27	437080		GASKET	NR
3	28	115149		SUPPORT ARMS WASH / RINSE	NR
3	29	437113		GASKET	NR
3	30	H.165168		PIPE	MT
3	31	429072		RING NUT	NR
4	1	143263		PIPE	NR
4	2	144030		NO RETURN VALVE	NR

(\*) Recommended spare part.

Page	Spare part position	Spare part code no.	Old code number	Description	U.m.
4	3	143004		PIPE	MT
4	4	437041		GASKET	NR
4	5	240011		FILL VALVE	NR
4	6	104060		BOILER	NR
4	7	136030		ASPIRATION AND DRAIN BODY	NR
4	8	127082		DELIVERY WASH HOSE	NR
4	9	456076		O-RING	NR
4	10	127085		DELIVERY WASH HOSE	NR
4	11	115143		MAINFOLD	NR
4	12	437102		GASKET	NR
4	13	429073		RING NUT	NR
4	14	121135		SUCTION FILTER UNIT	NR
4	16	480162		PLUG	NR
4	17	115150		MAINFOLD	NR
4	18	127133		DELIVERY WASH HOSE	NR
4	20	209042		DOSING PUMP	NR
4	21	143261		HOSE	NR
4	22	143005		LINEN RUBBER PIPE 5X12 - BLACK	MT
4	23	H.775601		PIPE	MT
4	24	121993		FILTER AID DISPENSER	NR
4	26	143270		INLET WRAS PIPE	NR
4	27	437080		GASKET	NR
4	28	115149		SUPPORT ARMS WASH / RINSE	NR
4	29	437113		GASKET	NR
4	30	H.165168		PIPE	MT
4	31	429072		RING NUT	NR
5	1	117009		WATER SOFTNER	NR
5	2	144030		NO RETURN VALVE	NR
5	3	143004		PIPE	MT
5	4	240016		SOLENOID VALVE	NR
5	5	437041		GASKET	NR
5	6	143270		INLET WRAS PIPE	NR

(\*) Recommended spare part.

Page	Spare part position	Spare part code no.	Old code number	Description	U.m.
5	7	999288		SOLENOID VALVE	NR
5	8	127138		SLEEVE	NR
5	9	127140		SLEEVE	NR
5	10	127137		SLEEVE	NR
5	11	127139		SLEEVE	NR
5	12	480005		SALT CONTAINER SCREW CAP	NR
5	13	456052		O-RING	NR
5	14	429011		RING NUT	NR
5	15	437034		GASKET	NR
5	16	406998		SALT CONTAINER UNIT	NR
5	18	143137		DRAIN HOSE	NR
5	19	468152		DRAIN CONNECTION FOR DISHWASHERS SERIE	NR
5	20	127136		SLEEVE	NR
5	21	499092		DIAPHRAGM VALVE VENT	NR
5	22	476008		SPHERE	NR
5	23	437083		GASKET	NR
5	24	468199		PIPE FITTING	NR
5	25	144992		NO RETURN VALVE	NR
5	26	127158		SLEEVE	NR
5	27	999364		DRAIN PUMP + BRACKET 220/240-50HZ	NR
5	28	127134		SUCTION PIPE	NR
5	30	999365		PRICE TO BE DEFINED	
6	1	429079		RING NUT	NR
6	2	303040		RING	NR
6	3	325109		PIVOT	NR
6	4	990128		RINSE AND WASH ARM	NR
6	5	437117		WASHER	NR
6	6	454006		RING NUT	NR
6	13	429073		RING NUT	NR
6	14	437102		GASKET	NR
6	15	115143		MAINFOLD	NR
6	16	121139		STAINER	NR

(\*) Recommended spare part.

Page	Spare part position	Spare part code no.	Old code number	Description	U.m.
6	17	121145		STAINER	NR
6	21	80700		PIVOT	NR
6	22	80697		RING NUT	NR
6	23	325070		EXTENSION FOR STUD	NR
6	25	129080		COMPLETE RINSE ARM	NR
6	26	80345		WASH ASSEMBLY	NR
6	33	417111		UNION NUT WASH/RINSE ARM	NR
6	34	308031		RING NUT	NR
7	1	130977		WASH-BODY UNIT AND PUMP (130174)LA500 50HZ	NR
7	3	335015		WASPUMP FUN	NR
7	4	206002		CAPACITOR	NR
7	6	141008		WASPUMP SHAFT SEAL	NR
7	7	141009		WASPUMP SHAFT SEAL	NR
7	8	124057		ELECTROPUMP IMPELLER	NR
7	10	456078		O-RING	NR
7	11	480159		PLUG	NR
7	12	429074		RING NUT	NR
7	13	486242		SCREW	NR
7	14	116032		ELECTROPUMP HOUSING	NR
7	15	130976		WASH-BODY UNIT AND PUMP (130185)LA500 60HZ	NR
7	16	124060		ELECTROPUMP IMPELLER	NR